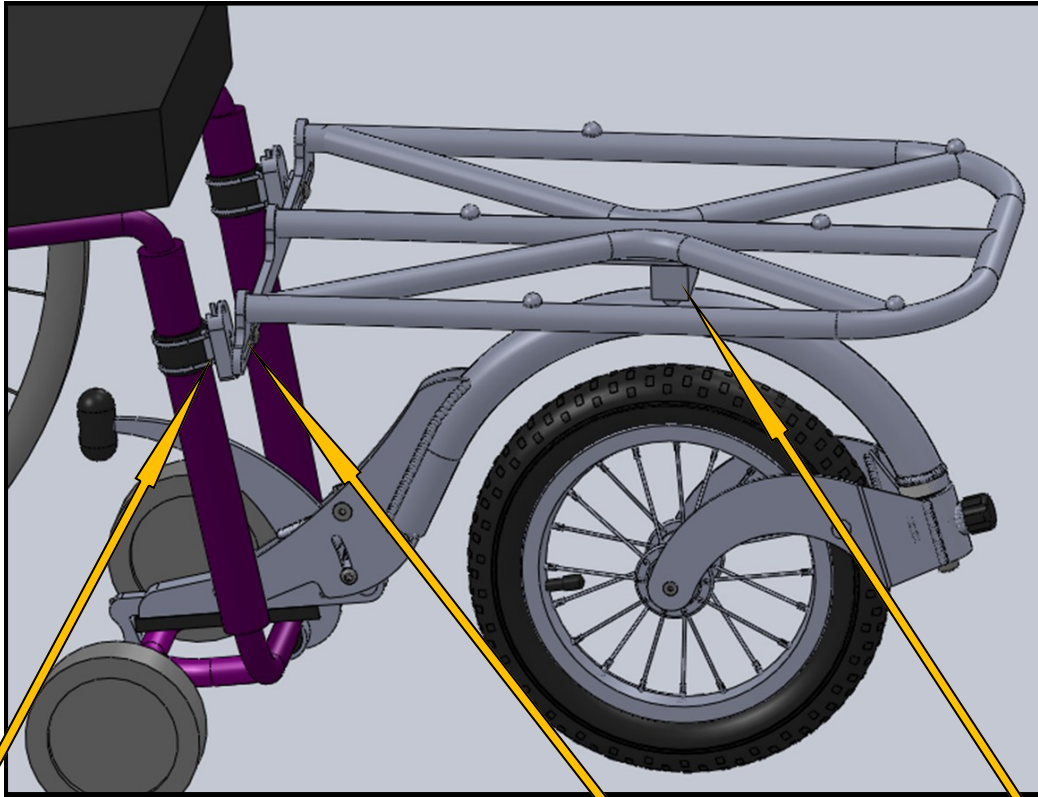


FreeWheel™

Wheelchair Attachment RACK

Installation Guide



1. Socket and Slider/Lock

2. Width Adjustment

3. Block Centered

Parts Included

1. 6 O-Rings, 4 Zip-Ties, 2 Foam Strips, 2 Sockets, 2 Sliders/Locks, 2 Retaining Screws
2. 2 Ball Fittings, 2 Washers, 2 Buttonhead Screws
3. 1 Block, 2 Socket Head Cap Screws

Tools Needed

Phillips Screw Driver, 5/32" allen wrench, wheel bearing grease

When Using Your RACK

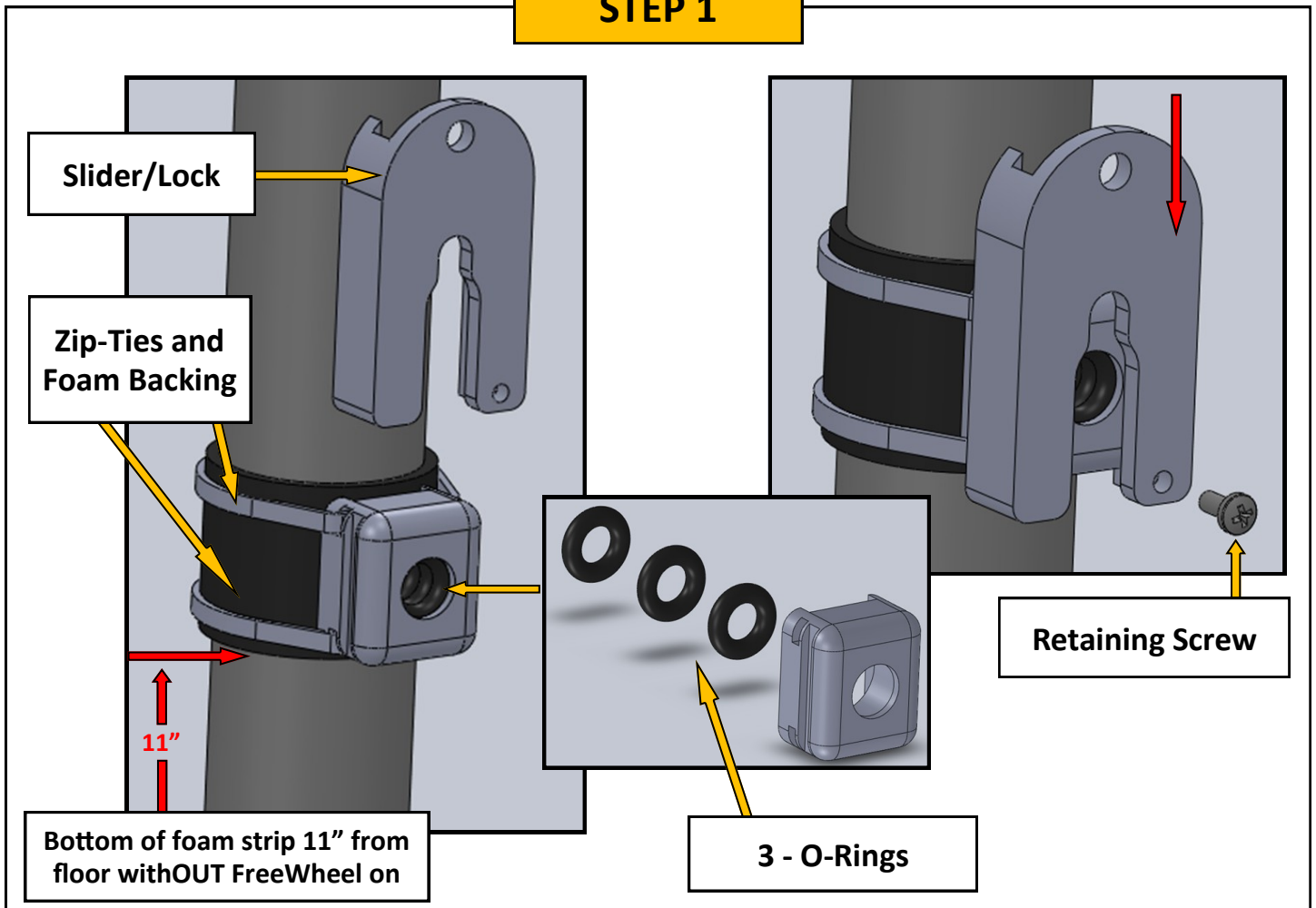
1. Do not overload your RACK. Manufacturer maximum weight specifications is 25 lbs.
2. To make it easy to insert the Ball Fitting into the Socket, it helps to lightly dab wheel bearing grease on each Ball Fitting (can be found at any auto parts store).
3. If the width between your vertical tubes is over 13-3/4" please contact us for an additional part.

For additional information or questions please go to our website or email us at:

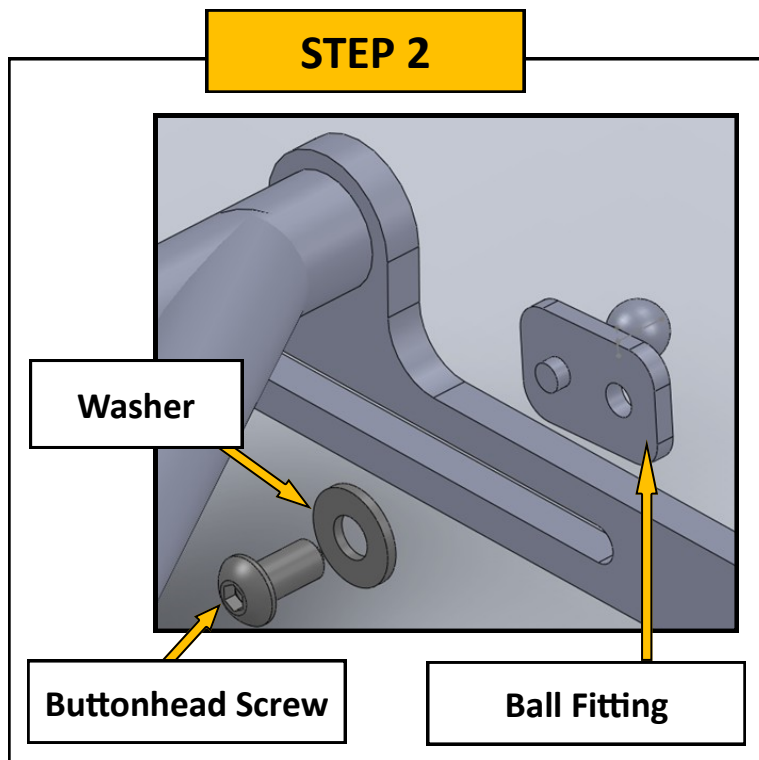
www.freewheelusa.com or info@epicalsolutions.com

***** OVER *****

STEP 1



STEP 2



STEP 3

